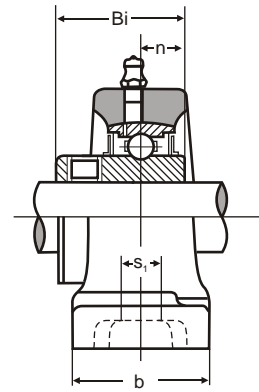
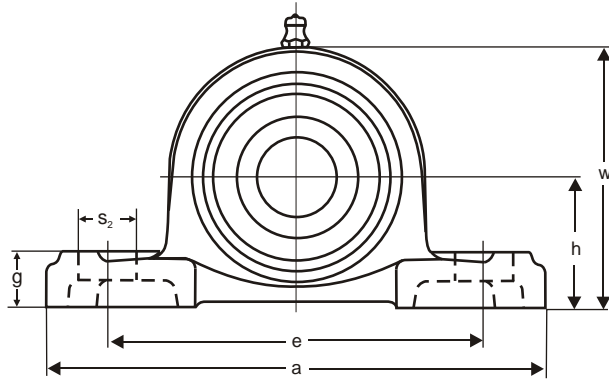


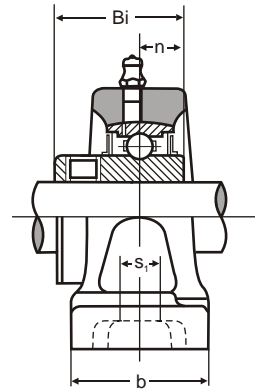
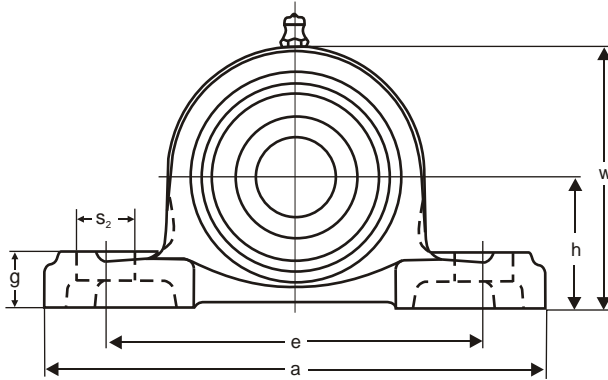
PILLOW BLOCKS

UCP 200 type
Normal Duty
Set-screw Locking



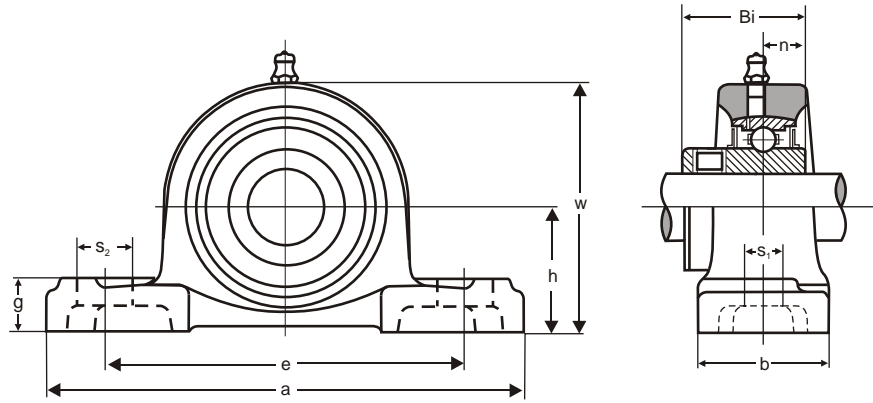
UnitNo.	Shaft Diam. mm	Dimensions mm										Bolt Size mm	Bearing No.	Housing No.	Weight Kg.
		h	a	e	b	s1	s2	g	w	Bi	n				
UCP 201	12	30.2	127	95	38	13	19	15	62	31	12.7	M 10	UC 201	P 203	0.65
UCP 202	15	30.2	127	95	38	13	19	15	62	31	12.7	M 10	UC 202	P 203	0.63
UCP 203	17	30.2	127	95	38	13	19	15	62	31	12.7	M 10	UC 203	P 203	0.62
UCP 204	20	33.3	127	95	38	13	19	15	65	31	12.7	M 10	UC 204	P 204	0.65
UCP 205	25	36.5	140	105	38	13	16	16	70	34.1	14.3	M 10	UC 205	P 205	0.79
UCP 206	30	42.9	165	121	48	17	21	18	83	38.1	15.9	M 14	UC 206	P 206	1.3
UCP 207	35	47.6	167	127	48	17	21	19	94	42.9	17.5	M 14	UC 207	P 207	1.6
UCP 208	40	49.2	184	137	54	17	25	19	100	49.2	19	M 14	UC 208	P 208	2
UCP 209	45	54	190	146	54	17	22	20	108	49.2	19	M 14	UC 209	P 209	2.3
UCP 210	50	57.2	206	159	60	20	25	22	114	51.6	19	M 16	UC 210	P 210	2.7
UCP 211	55	63.5	219	171	60	20	25	22	126	55.6	22.2	M 16	UC 211	P 211	3.3
UCP 212	60	69.8	241	184	70	20	25	25	138	65.1	25.4	M 16	UC 212	P 212	4.7
UCP 213	65	76.2	265	203	70	25	29	27	150	65.1	25.4	M 20	UC 213	P 213	5.6
UCP 214	70	79.4	266	210	72	25	31	27	156	74.6	30.2	M 20	UC 214	P 214	7.3
UCP 215	75	82.6	275	217	74	25	31	28	163	77.8	33.3	M 20	UC 215	P 215	7.9
UCP 216	80	88.9	292	232	78	25	31	30	175	82.6	33.3	M 20	UC 216	P 216	10
UCP 217	85	95.2	310	247	83	25	31	32	187	85.7	34.1	M 20	UC 217	P 217	12.2
UCP 218	90	101.6	327	262	88	27	33	34	200	96	39.7	M 22	UC 218	P 218	14.7

UCP X00 type
Medium Duty
Set-screw Locking



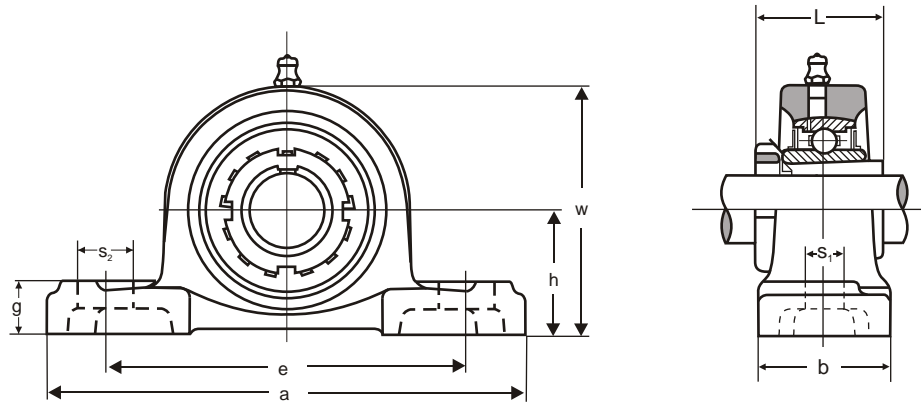
Unit No.	Shaft Diam. mm	Dimensions mm										Bolt Size mm	Bearing No.	Housing No.	Weight kg
		h	a	e	b	s1	s2	g	w	Bi	n				
UCP X05	25	44.4	159	119	51	17	25	18	85	38.1	15.9	M14	UC X05	P X05	1.5
UCP X06	30	47.6	175	127	57	17	25	20	94	42.9	17.5	M14	UC X06	P X06	1.9
UCP X07	35	54	203	144	57	17	30	22	105	49.2	19	M14	UC X07	P X07	2.7
UCP X08	40	58.7	222	156	67	20	32	26	113	49.2	19	M16	UC X08	P X08	3.5
UCP X09	45	58.7	222	156	67	20	33	26	116	51.6	19	M16	UC X09	P X09	3.5
UCP X10	50	63.5	241	171	73	20	36	27	126	55.6	22.2	M16	UC X10	P X10	4.2
UCP X11	55	69.8	260	184	79	25	36	30	139	65.1	25.4	M20	UC X11	P X11	5.9
UCP X12	60	76.2	286	203	83	25	41	32	151	65.1	25.4	M20	UC X12	P X12	7.2
UCP X13	65	76.2	286	203	83	25	41	32	154	74.6	30.2	M20	UC X13	P X13	7.4
UCP X14	70	88.9	330	229	89	27	51	35	172	77.8	33.3	M22	UC X14	P X14	11.1
UCP X15	75	88.9	330	229	89	27	51	35	177	82.6	33.3	M22	UC X15	P X15	11.4
UCP X16	80	1.6	381	283	102	27	59	42	197	85.7	34.1	M22	UC X16	P X16	17.4
UCP X17	85	1.6	381	283	102	27	59	42	202	96	39.7	M22	UC X17	P X17	17.1
UCP X18	90	1.6	381	283	111	27	60	45	206	104	42.9	M22	UC X18	P X18	17.0
UCP X20	100	27	432	337	121	33	64	52	250	117.5	49.2	M27	UC x20	P X20	33.0

UCP 300 type
Heavy Duty
Set-screw Locking

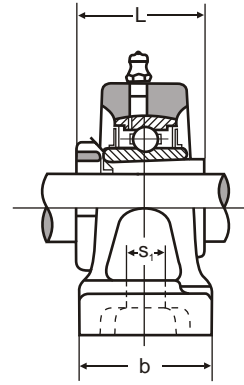
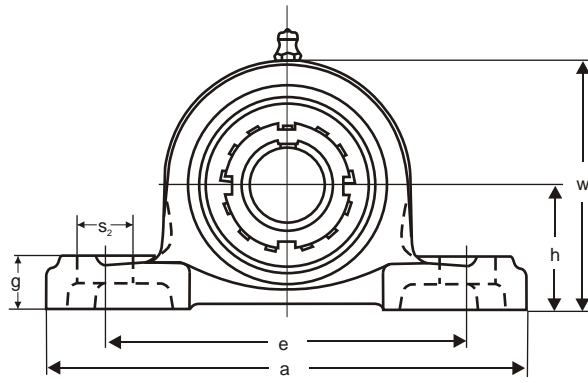


Unit No.	Shaft Diam. mm	Dimensions mm										Bolt Size mm	Bearing No.	Housing No.	Weight kg
		h	a	e	b	s1	s2	g	w	Bi	n				
UCP 305	25	45	175	32	45	17	20	16	83	38	15	M14	UC305	P 305	1.6
UCP 306	30	50	180	40	50	17	20	19	94	43	17	M14	UC306	P 306	1.9
UCP 307	35	56	210	60	56	17	25	21	105	48	19	M14	UC307	P 307	2.7
UCP 308	40	60	220	67	60	17	27	23	116	52	19	M14	UC308	P 308	3.3
UCP 309	45	67	245	190	67	20	30	25	128	57	22	M16	UC309	P 309	4.5
UCP 310	50	75	275	212	75	20	35	28	143	61	22	M16	UC310	P 310	6.2
UCP 311	55	80	310	236	80	20	38	31	154	66	25	M16	UC311	P 311	7.7
UCP 312	60	85	330	250	85	25	38	33	165	71	26	M20	UC312	P 312	9.3
UCP 313	65	90	340	260	90	25	38	36	174	75	30	M20	UC313	P 313	9.8
UCP 314	70	95	360	280	90	27	40	40	186	78	33	M22	UC314	P 314	11.4
UCP 315	75	100	380	290	100	27	40	40	197	82	32	M22	UC315	P 315	13.6
UCP 316	80	106	400	300	110	27	40	45	209	86	34	M22	UC316	P 316	16.4
UCP 317	85	112	420	320	110	33	45	45	221	96	40	M27	UC317	P 317	18.6
UCP 318	90	118	430	330	110	33	45	50	233	96	40	M27	UC318	P 318	20.9
UCP 319	95	125	470	360	120	36	50	50	250	103	41	M30	UC319	P 319	26.5
UCP 320	100	140	490	380	120	36	50	55	275	108	42	M30	UC320	P 320	34.3
UCP 321	105	140	490	380	120	36	50	55	278	112	44	M30	UC321	P 321	36.6
UCP 322	110	150	520	400	140	40	55	60	295	117	46	M33	UC322	P 322	42.5
UCP 324	120	160	570	450	140	40	55	70	321	126	51	M33	UC324	P 324	53.5
UCP 326	130	180	600	480	140	40	55	80	354	135	54	M33	UC326	P 326	72.1
UCP 328	140	200	620	500	140	40	55	80	388	145	59	M33	UC328	P 328	89.1

UKP 200+H type
Normal Duty
Adapter Sleeve Locking

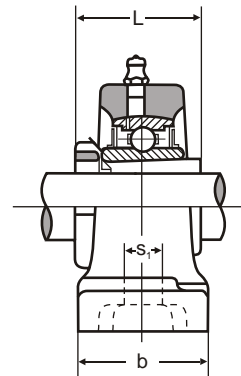
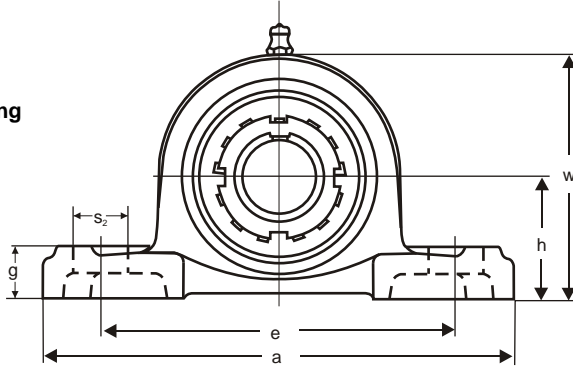


Unit No.	Shaft Diam. mm	Dimensions mm									Bolt Size mm	Bearing No.	Housing No.	Weight Kg.
		h	a	e	b	s1	s2	g	w	L				
UKP 205+H2305	20	36.5	140	105	38	13	16	16	70	35	M 10	UK 205+H 2305	P 205	0.84
UKP 206+H2306	25	42.9	165	121	48	17	21	18	83	38	M 14	UK 206+H 2306	P 206	1.4
UKP 207+H2307	30	47.6	167	127	48	17	21	19	94	43	M 14	UK 207+H 2307	P 207	1.6
UKP 208+H2308	35	49.2	184	137	54	17	25	19	100	46	M 14	UK 208+H 2308	P 208	2.1
UKP 209+H2309	40	54	190	146	54	17	22	20	108	50	M 14	UK 209+H 2309	P 209	2.4
UKP 210+H2310	45	57.2	206	159	60	20	25	22	114	55	M 16	UK 210+H 2310	P 210	2.8
UKP 211±H2311	50	63.5	219	171	60	20	25	22	126	59	M 16	UK 211+H 2311	P 211	3.4
UKP 212+H2312	55	69.8	241	184	70	20	25	25	138	62	M 16	UK 212+H 2312	P 212	4.8
UKP 213+H2313	60	76.2	265	203	70	25	29	27	150	65	M 20	UK 213+H 2313	P 213	5.7
UKP 215+H2315	65	82.6	275	217	74	25	31	28	163	73	M 20	UK 215+H 2315	P 215	8.3
UKP 216+H2316	70	88.9	292	232	78	25	31	30	175	78	M 20	UK 216+H 2316	P 216	10.4
UKP 217+H2317	75	95.2	310	247	83	25	31	32	187	82	M 20	UK 217+H 2317	P 217	12.8
UKP 218+H2318	80	101.6	327	262	88	27	33	34	200	86	M 22	UK 218+H 2318	P 218	15.1



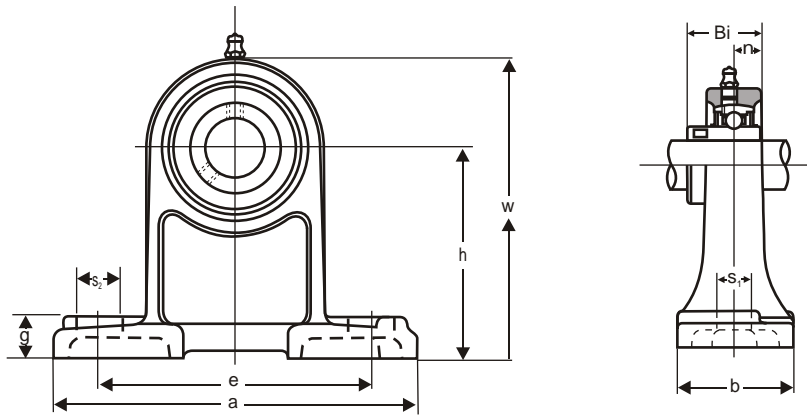
Unit No.	Shaft Diam. mm	Dimensions mm									Bolt Size mm	Bearing No.	Housing No.	Weight Kg.
		h	a	e	b	s1	s2	g	w	L				
UKP X05+H2305	20	44.4	159	119	51	17	25	18	85	35	M 14	UK X05+H 2305	P X05	1.5
UKP X06+H2306	25	47.6	175	127	57	17	25	20	94	38	M 14	UK X06+H 2306	P X06	2
UKP X07+H2307	30	54	203	144	57	17	30	22	105	43	M 14	UK X07+H 2307	P X07	2.7
UKP X08+H2308	35	58.7	222	156	67	20	32	26	113	46	M 16	UK X08+H 2308	P X08	3.5
UKP X09+H2309	40	58.7	222	156	67	20	33	26	116	50	M 16	UK X09+H2309	P X09	3.5
UKP X10+H2310	45	63.5	241	171	73	20	36	27	126	55	M 16	UK X10+H2310	P X10	4.3
UKP X11+H2311	50	69.8	260	184	79	25	36	30	139	59	M 20	UK X11+H 2311	P X11	5.8
UKP X12+H2312	55	76.2	286	203	83	25	41	32	151	62	M 20	UK X12+H 2312	P X12	7.1
UKP X13+H2313	60	76.2	286	203	83	25	41	32	154	65	M 20	UK X13+H 2313	P X13	7.2
UKP X15+H2315	65	88.9	330	229	89	27	51	35	177	73	M 22	UK X15+H 2315	P X15	11.5
UKP X16+H2316	70	101.6	381	283	102	27	59	42	197	78	M 22	UK X16+H 2316	P X16	17.4
UKP X17+H2317	75	101.6	381	283	102	27	59	42	202	82	M 22	UK X17+H 2317	P X17	17
UKP X18+H2318	80	101.6	381	283	111	27	60	45	206	86	M 22	UK X18+H 2318	P X18	16.7
UKP X20+H2320	90	127	432	337	121	33	64	52	250	97	M27	UK X20+H 2320	P X20	32.1

**UKP 300-H type
Heavy Duty
Adapter Sleeve Locking**



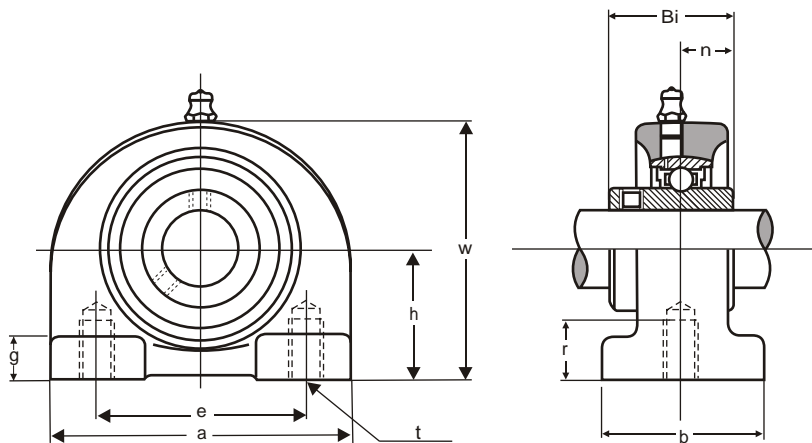
Unit No.	Shaft Diam. mm	Dimensions mm									Bolt Size mm	Bearing No.	Housing No.	Weight kg
		h	a	e	b	s1	s2	g	w	L				
UKP 305+H2305	20	45	175	132	45	17	20	16	83	35	M 14	UK 305+H 2305	P 305	1.6
UKP 306+H2306	25	50	180	140	50	17	20	19	94	38	M 14	UK 306+H 2306	P 306	1.9
UKP 307+H2307	30	56	210	160	56	17	25	21	105	43	M 14	UK 307+H 2307	P 307	2.7
UKP 308+H2308	35	60	220	170	60	17	27	23	116	46	M 14	UK 308+H 2308	P 308	3
UKP 309+H2309	40	67	245	190	67	20	30	25	123	50	M 16	UK 309+H 2309	P 309	4.6
UKP 310+H2310	45	75	275	212	75	20	35	28	143	55	M 16	UK 310+H 2310	P 310	6.2
UKP 311+H2311	50	80	310	236	80	20	38	31	154	59	M 16	UK 311+H 2311	P 311	7.9
UKP 312+H2312	55	85	330	250	85	25	38	33	165	62	M 20	UK 312+H 2312	P 312	9.3
UKP 313+H2313	60	90	340	260	90	25	33	36	174	65	M 20	UK 313+H 2313	P 313	9.8
UKP 315+H2315	65	100	380	290	100	27	40	40	197	73	M 22	UK 315+H 2315	P 314	13.7
UKP 316+H2316	70	106	400	300	110	27	40	45	209	78	M 22	UK 316+H 2316	P 315	16.6
UKP 317+H2317	75	112	420	320	110	33	45	45	221	82	M 27	UK 317+H 2317	P 316	18.6
UKP 318+H2318	80	118	430	330	110	33	45	50	233	86	M 27	UK 318+H 2313	P 317	21.1
UKP 319+H2319	85	125	470	360	120	36	50	50	250	90	M 30	UK 319+H 2319	P 318	26.5
UKP 320+H2320	90	140	490	380	120	36	50	55	275	97	M 30	UK 320+H 2320	P 319	34.3
UKP 322+H2322	100	150	520	400	140	40	55	60	295	105	M 33	UK 322+H 2322	P 320	42.6
UKP 324+H2324	110	160	570	450	140	40	55	70	321	112	M 33	UK 324+H 2324	P 321	53
UKP 326+H2326	115	180	600	480	140	40	55	80	354	121	M 33	UK 326+H 2326	P 322	72.4
UKP 328+H2328	125	200	620	500	140	40	55	80	388	131	M 33	UK 328+H 2328	P 323	89.4

UCPH 200 type
Normal Duty
Set-screw Locking



Unit No.	Shaft Diam. mm	Dimensions mm										Bolt Size mm	Bearing No.	Housing No.	Weight kg
		h	a	e	b	s1	s2	g	w	Bi	n				
UCPH 201	12	70	127	95	40	13	19	15	101	31	12.7	M 10	UC 201	PH 204	1
UCPH 202	15	70	127	95	40	13	19	15	101	31	12.7	M 10	UC 202	PH 204	1
UCPH 203	17	70	127	95	40	13	19	15	101	31	12.7	M 10	UC 203	PH 204	1
UCPH 204	20	70	127	95	40	13	19	15	101	31	12.7	M 10	UC 204	PH 204	1
UCPH 205	25	80	140	105	50	13	19	16	114	34.1	14.3	M 10	UC 205	PH 205	1.2
UCPH 206	30	90	165	121	50	17	21	18	130	38.1	15.9	M 14	UC 206	PH 206	1.9
UCPH 207	35	95	167	127	60	17	21	19	140	42.9	17.5	M 14	UC 207	PH 207	2.4
UCPH 208	40	100	184	137	70	17	25	19	149	49.2	19	M 14	UC 208	PH 208	2.8
UCPH 209	45	105	190	146	70	17	25	20	157	49.2	19	M 14	UC 209	PH 209	3.2
UCPH 210	50	110	206	159	70	20	25	22	165	51.6	19	M 16	UC 210	PH 210	3.6

UCPA 200 type
Normal Duty
Set-screw Locking



Unit No.	Shaft Diam. mm	Dimensions mm										Bolt Size mm	Bearing No.	Housing No.	Weight kg
		h	a	e	b	r	g	w	Bi	n					
UCPA 201	12	30.2	76	52	38	12	8	62	31	12.7	M 10	UC 201	PA 204	0.65	
UCPA 202	15	30.2	76	52	38	12	8	62	31	12.7	M 10	UC 202	PA 204	0.63	
UCPA 203	17	30.2	76	52	38	12	8	62	31	12.7	M 10	UC 203	PA 204	0.62	
UCPA 204	20	30.2	76	52	39	12	8	62	31	12.7	M 10	UC 204	PA 204	0.6	
UCPA 205	25	36.5	84	56	38	15	10	72	34.1	14.3	M 10	UC 205	PA 205	0.81	
UCPA 206	30	42.9	94	66	48	18	10	84	38.1	15.9	M 14	UC 206	PA 206	1.2	
UCPA 207	35	47.6	110	80	48	20	12	95	42.9	17.5	M 14	UC 207	PA 207	1.7	
UCPA 208	40	49.2	116	84	54	20	12	100	49.2	19	M 14	UC 208	PA 208	1.9	
UCPA 209	45	54.2	120	90	54	25	12	100	49.2	19	M 14	UC 209	PA 209	2.2	
UCPA 210	50	57.2	130	94	60	25	14	116	51.6	19	M 16	UC 210	PA 210	2.6	